

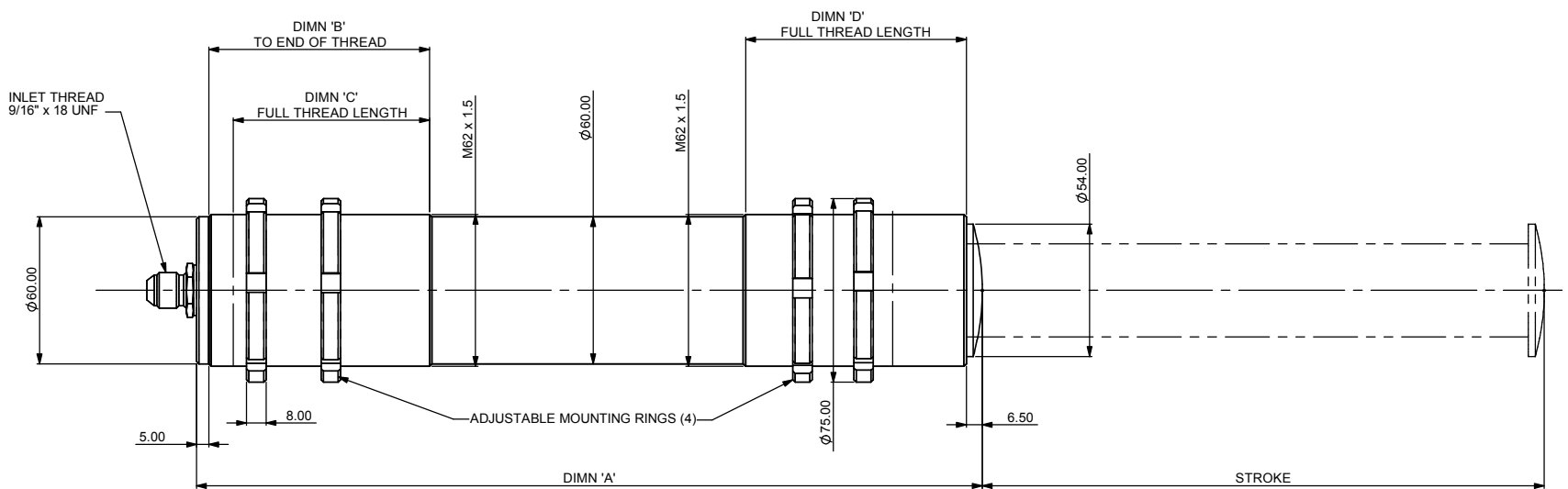
# A1 INSTALLATION DRAWING

IF THIS DOCUMENT IS PRINTED IN HARD COPY, IT IS FOR INFORMATION USE ONLY AND THEREFORE IS NOT SUBJECT TO UPDATING CONTROLS. ALWAYS REFER TO SOLIDWORKS VIEWER FOR LATEST ISSUE



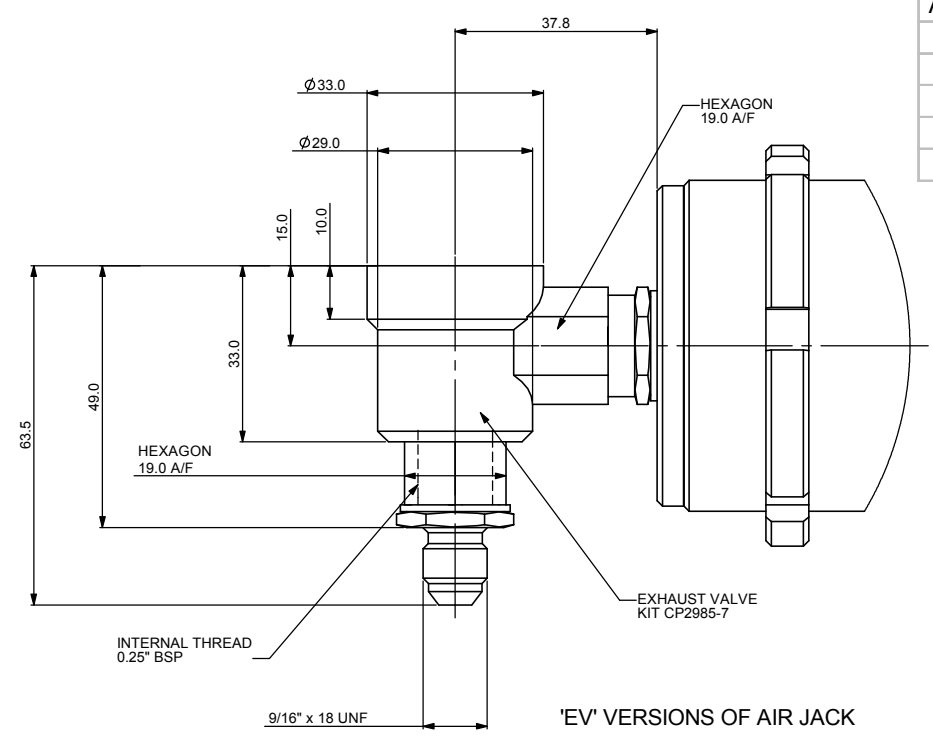
THIS DRAWING IS CONFIDENTIAL AND IS SUPPLIED ON THE EXPRESS CONDITION THAT IT SHALL NOT BE LOANED OR COPIED OR DISCLOSED TO ANY OTHER PERSON OR USED FOR ANY OTHER PURPOSE WITHOUT THE WRITTEN CONSENT OF AP RACING LTD.

**AP RACING**  
 © AP Racing Ltd. 2004  
 AP Racing  
 Wheler Road  
 Coventry  
 CV3 4LB  
 Tel: +44 (0) 24 7663 9595 e-mail: engineering@apracing.co.uk  
 Fax: +44 (0) 24 7663 9559 Web site: http://www.apracing.com



STANDARD AIR JACK

ASSEMBLY PART No.	STROKE	DIMN 'A'	DIMN 'B'	DIMN 'C'	DIMN 'D'
CP2985-1 & -1EV	230	320.5	90	90	90
CP2985-10 & -10EV	168	259.5	59.5	59.5	59.5
CP2985-15 & -15EV	310	400.5	150	90	90
CP2985-25 & -25EV	153	244.5	90	90	100
CP2985-29	310	400.5	150	90	210



**MAINTENANCE**

DO NOT USE PETROL OR PARAFFIN FOR CLEANING THE AIR JACK AS THIS WILL DAMAGE THE RUBBER SEALS. USE AN ALCOHOL BASED CLEANING FLUID i.e. METHYLATED SPIRIT. FOR INTERNAL LUBRICATION USE ONLY SILICONE SPRAY OR SILICONE GREASE AS REQUIRED.

AN EXHAUST VALVE KIT, AS SHOWN, IS AVAILABLE FROM AP RACING, TO INCREASE THE SPEED OF RETRACTION OF THE JACK. SUFFIX 'EV' AIR JACKS COME WITH THE EXHAUST VALVE FITTED AS STANDARD.

NYLON VOLUME REDUCTION RODS ARE AVAILABLE FROM AP RACING, FOR THE FOLLOWING ASSEMBLIES, TO SPEED UP AIRJACK OPERATION.

ASSEMBLY No.	ROD No.
CP2985-1 / 1EV	CP2985-208
CP2985-10 / 10EV	CP2985-209
CP2985-25	CP2985-167

**FITTINGS**

ALL CONNECTIONS ON THIS EQUIPMENT ARE DESIGNED FOR 'DASH 6 AEROQUIP'.

**LOADS**

MAXIMUM LIFT CAPABILITY - 467 Kg  
 MAXIMUM OPERATING PRESSURE - 20.0 BAR

**SEE EXPLODED VIEW AND SPARE PARTS LIST ON SHEET 2**

Issue No	Alterations		Zone	Initials
	Date & No.	Particulars		
4	03/12/02 B3532	RE-DRAWN ON SOLID WORKS. ASSEMBLY -2 DELETED ASSEMBLIES -22, -23, -25 ADDED	#	DRA
5	20/10/04 B4101	DIMNS 'B', 'C' & 'D' SWAPPED ROUND AND LENGTHS IN CHART CORRECTED TO FALL IN LINE WITH MCD PARTS. ASSEMBLIES -11, -16, -22 & -23 DELETED. ASSEMBLY -29 ADDED	#	DRA
6	14/03/05 B4207	EXPLODED VIEW ON SHEET 2 AND SPARES CHART ADDED	#	DRA

SCALE 1:1 SHEET 1 OF 2

DRAWN D.ARROWSMITH

APPROVED

DERIVED FROM CP2985-1MCD.she

TITLE  
 Ø54 BORE AIRJACK  
 INSTALLATION DRAWING

DRG NO. cp2985-1MCD

# A1 INSTALLATION DRAWING

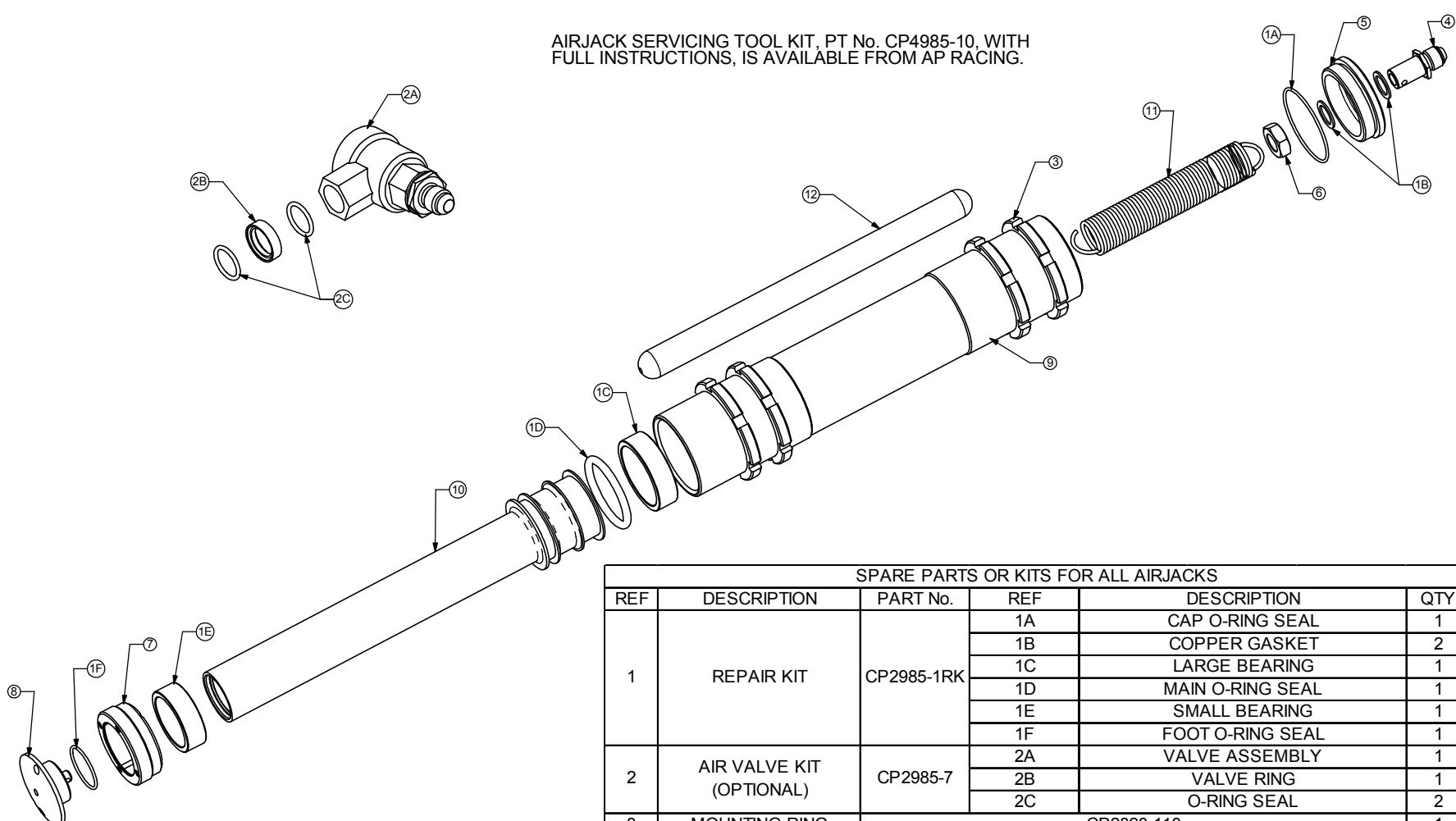
IF THIS DOCUMENT IS PRINTED IN HARDCOPY IT IS FOR INFORMATION USE ONLY AND THEREFORE IS NOT SUBJECT TO UPDATING CONTROLS. ALWAYS REFER TO SOLIDWORKS VIEWER FOR LATEST ISSUE



THIS DRAWING IS CONFIDENTIAL AND IS SUPPLIED ON THE EXPRESS CONDITION THAT IT SHALL NOT BE LOANED OR COPIED OR DISCLOSED TO ANY OTHER PERSON OR USED FOR ANY OTHER PURPOSE WITHOUT THE WRITTEN CONSENT OF AP RACING LTD.

**AP RACING**  
 © AP Racing Ltd. 2004  
 AP Racing  
 Wheeler Road  
 Coventry  
 CV3 4LB  
 Tel: +44 (0) 24 7663 9595 e-mail: engineering@ap racing.co.uk  
 Fax: +44 (0) 24 7663 9559 Web site: http://www.ap racing.com

AIRJACK SERVICING TOOL KIT, PT No. CP4985-10, WITH FULL INSTRUCTIONS, IS AVAILABLE FROM AP RACING.



SPARE PARTS OR KITS FOR ALL AIRJACKS							
REF	DESCRIPTION	PART No.	REF	DESCRIPTION	QTY		
1	REPAIR KIT	CP2985-1RK	1A	CAP O-RING SEAL	1		
			1B	COPPER GASKET	2		
			1C	LARGE BEARING	1		
			1D	MAIN O-RING SEAL	1		
			1E	SMALL BEARING	1		
			1F	FOOT O-RING SEAL	1		
2	AIR VALVE KIT (OPTIONAL)	CP2985-7	2A	VALVE ASSEMBLY	1		
			2B	VALVE RING	1		
			2C	O-RING SEAL	2		
3	MOUNTING RING			CP2820-110	1		
4	INLET ADAPTOR			CP2820-121	1		
5	END CAP			CP2985-132	1		
6	NUT			CP2985-113	1		
7	BEARING HOUSING			CP2985-103	1		
8	FOOT			CP2985-153	1		
SPARE PARTS SPECIFIC TO AIRJACK STROKE							
REF	ASSEMBLY No.	CP2985-1	CP2985-10	CP2985-15	CP2985-25	CP2985-29	QTY
	STROKE mm	230	168	310	153	310	
9	BODY	CP2985-101	CP2985-139	CP2985-150	CP2985-165	CP2985-176	1
10	RAM	CP2985-102	CP2985-140	CP2985-151	CP2985-166	CP2985-151	1
11	RETURN SPRING	CP2985-122	CP2985-157	CP2985-152	CP2985-158	CP2985-152	1
12	VOL REDUCTION ROD (IF FITTED)	CP2985-208	CP2985-209	-	CP2985-167	-	1

Issue No.	Alterations		Zone	Initials
	Date & No.	Particulars		

SCALE 1:1 SHEET 2 OF 2  
 DRAWN D.ARROWSMITH  
 APPROVED  
 DERIVED FROM CP2985-1MCD.she  
 TITLE  
 Ø54 BORE AIRJACK  
 INSTALLATION DRAWING  
 DRG No. cp2985-1MCD