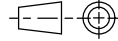


A3 INSTALLATION DRAWING

If this document is printed in hardcopy, it is for information only and therefore is not subject to updating controls. Always refer to viewer for latest issue



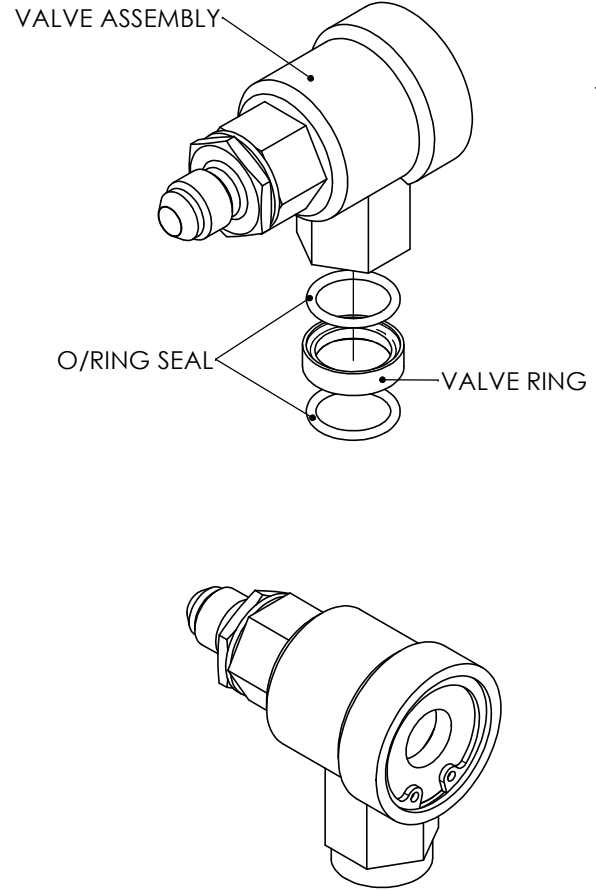
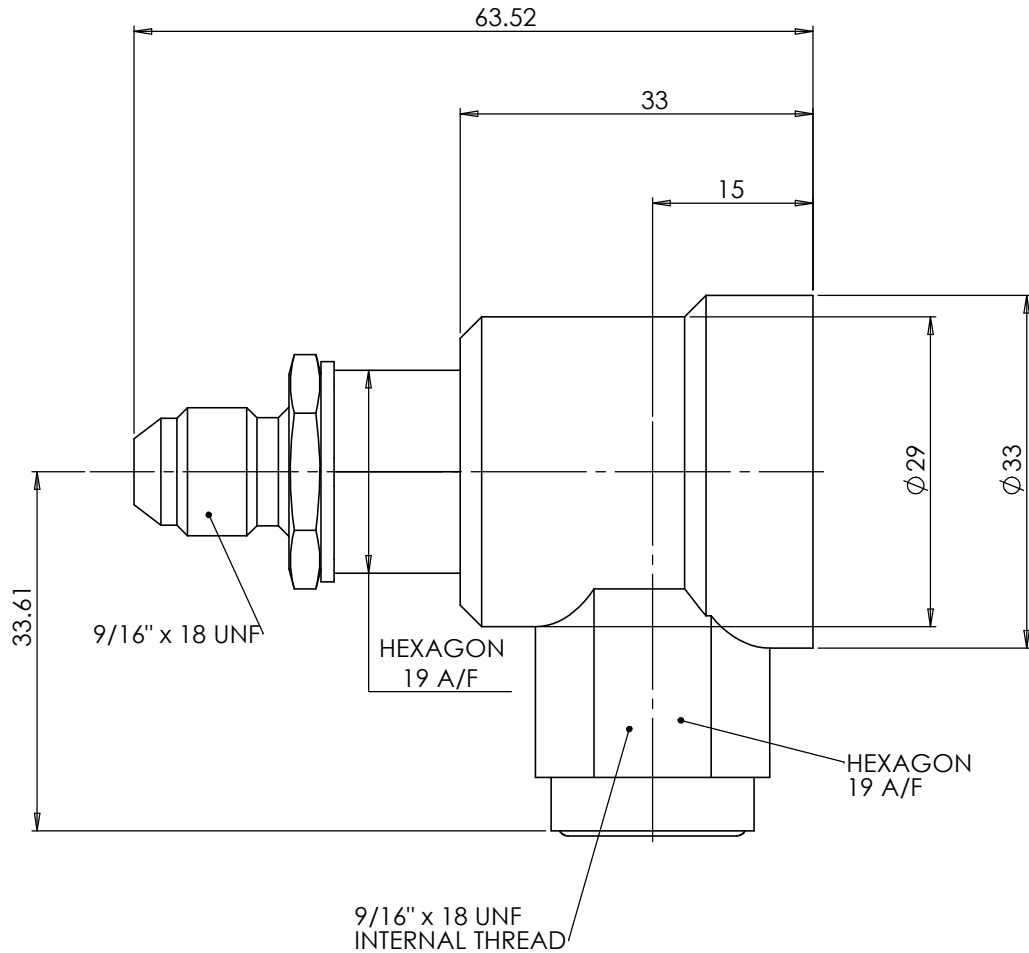
FIRST ANGLE PROJECTION

THIS DRAWING IS CONFIDENTIAL AND IS SUPPLIED ON THE EXPRESS CONDITION THAT IT SHALL NOT BE LOANED OR COPIED OR DISCLOSED TO ANY OTHER PERSON OR USED FOR ANY OTHER PURPOSE WITHOUT THE WRITTEN CONSENT OF AP RACING LTD.



AP Racing
 Wheler Road
 Coventry
 CV3 4LB
 Tel: +44 024 7663 9595
 Fax: +44 024 7663 9559
 e-mail: engineering@ap racing.co.uk
 web-site: HTTP://www.ap racing.com

© AP Racing Ltd. 2005



MAXIMUM OPERATING PRESSURE 20 BAR

Issue No.		Alterations		Zone	Initials
Issue No.	Date & No.	Particulars			
1	19/04/11 B6206	FIRST ISSUE			SAT

SCALE 1:1		SHEET 1 OF 1	
DRAWN		Steve Thomas	
APPROVED			
DERIVED FROM			
TITLE EXHAUST VALVE KIT			
Drg No.		CP2985-7CD	