

A1 INSTALLATION DRAWING

IF THIS DOCUMENT IS PRINTED IN HARDCOPY, IT IS FOR INFORMATION USE ONLY AND THEREFORE IS NOT SUBJECT TO UPDATING CONTROLS. ALWAYS REFER TO SOLIDWORKS VIEWER FOR LATEST ISSUE



THIS DRAWING IS CONFIDENTIAL AND IS SUPPLIED ON THE EXPRESS CONDITION THAT IT SHALL NOT BE LOANED OR COPIED OR DISCLOSED TO ANY OTHER PERSON OR USED FOR ANY OTHER PURPOSE WITHOUT THE WRITTEN CONSENT OF AP RACING LTD.

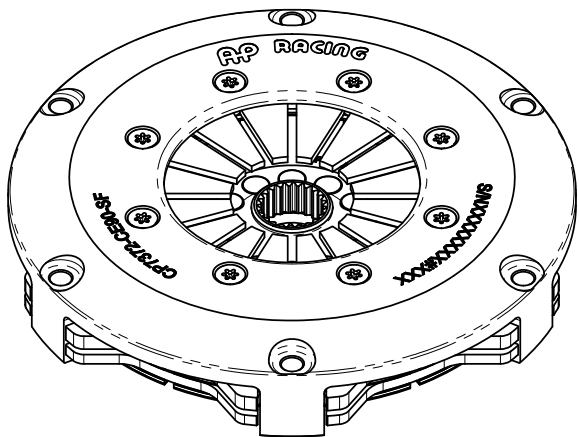


AP Racing
Wheler Road
Coventry
CV3 4LB

Tel: +44 (0) 24 7663 9595
Fax: +44 (0) 24 7663 9559
e-mail: engineering@apracings.com
Web site: <http://www.apracing.com>

© AP Racing Ltd. 2014

CP7372, Ø184mm (7.25") SINTERED CLUTCH ASSEMBLY



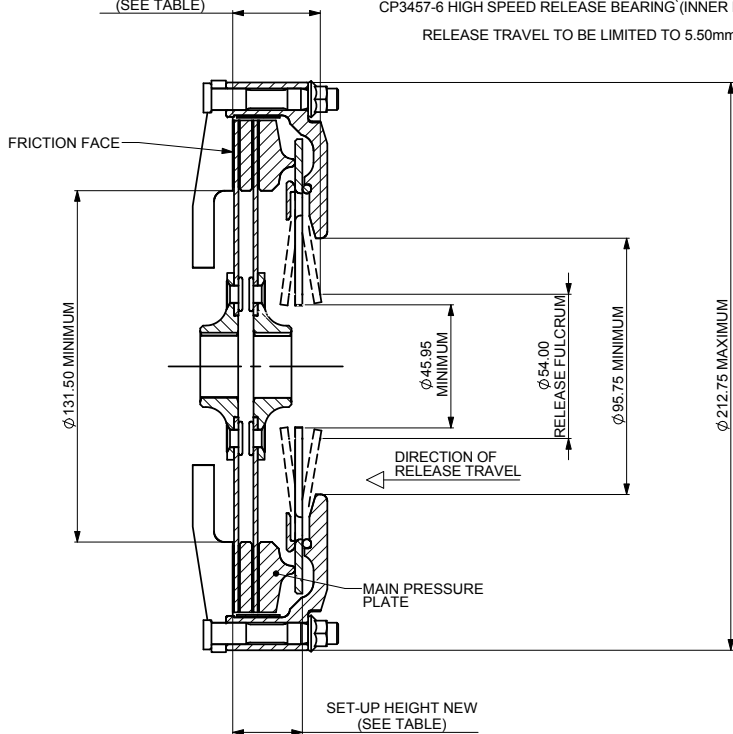
RECOMMENDED RELEASE BEARING :

STEEL CAGED, ROUND NOSED BALL TYPE BEARING TO BE FREE OF SPRING FINGERS WHEN CLUTCH IS FULLY ENGAGED.

CP3457-2 STANDARD RELEASE BEARING (OUTER RACE ROTATES)
CP3457-6 HIGH SPEED RELEASE BEARING (INNER RACE ROTATES).

RELEASE TRAVEL TO BE LIMITED TO 5.50mm MAXIMUM

SET UP HEIGHT
WORN MAXIMUM
(SEE TABLE)



CP7372 CLUTCH FAMILY

MAXIMUM DYNAMIC TORQUE CAPACITY				
(Nm)	848	532	327	
(ft.lb)	625	392	241	
RELEASE LOAD				
Max. Peak New (N)	3500	2400	1600	
Max. Peak Worn (N)	4400	3300	2200	
WEAR IN (See Note)				
	0.75	0.75	0.75	
Set Up Height New				
	28.76	29.55	28.73	
Set Up Height Worn - MAX				
	31.97	32.76	31.95	
(Set Up Height is calculated from the flywheel friction face.)				
Release Ratio				
	4.10	4.10	4.10	
Estimated Assembly Mass (Excluding Driven Plates) = 2.75 Kg				
Estimated Assembly Inertia (Excluding Driven Plates) = 0.0177Kgm ²				
Estimated Driven Plate Inertia - See Sheet 3				

PERFORMANCE SUFFIX	CE	OE	NE			
For Reference						
Diaphragm Spring Rate	CRV	ORA	GRN			
Clutch Ratio	EHR	EHR	EHR			

MATERIAL SUFFIX	DRIVE PLATE MATERIAL	DRIVE PLATE THICKNESS		
90	SINTERED	2.63mm		

FLYWHEEL TYPE		
	SUFFIX	COMMENTS
FLAT FLYWHEEL	FF	N/A
STEPPED FLYWHEEL	SF	FOR INSTALLATION DATA SEE SHEET 2

Sample AP Racing Part No. **CP7372-CE90-SF**

WEAR IN
THIS CLUTCH HAS BEEN DESIGNED FOR THE WEAR IN INDICATED ABOVE,
DRIVEN PLATE THICKNESS NEW: 2.63mm NOMINAL
DRIVEN PLATE THICKNESS WORN: 2.26mm MIN
DRIVEN PLATES - SEE SHEET 3

Issue No.	Alterations			Zone	Initials
	Date & No.	Particulars			
	FOR ALL	ISSUE RECORDS PRE SEE ARCHIVE COPY		13	
5	19/09/14 C4778	DRAWING UPDATED TO CURRENT STANDARD SUH CHANGES (AS NOW MEASURED FROM FRICTION FACE NOT FLYWHEEL STEP) CE ASSEMBLY: 28.76 WAS 31.31, 26.00 WAS 28.48, 31.97 WAS 34.33 OE ASSEMBLY: 29.55 WAS 32.06, 26.77 WAS 29.20, 32.76 WAS 35.08 NE ASSEMBLY: 28.73 WAS 31.59, 25.97 WAS 28.77, 31.95 WAS 34.61		#	bcB
6	02/04/15	CP2567-33FM3 AND -34FM3 ADDED TO SHEET 3		#	JG

SCALE 1:1	SHEET 1 OF 3
DRAWN	DAVID CONSTABLE-BERRY
APPROVED	
DERIVED FROM	CP7972CD
TITLE	Ø184mm (7.25") TWIN PLATE CLUTCH INSTALLATION
DRG NO.	CP7372-1CD

A1 INSTALLATION DRAWING

IF THIS DOCUMENT IS PRINTED IN HARDCOPY, IT IS FOR INFORMATION USE ONLY AND THEREFORE IS NOT SUBJECT TO UPDATING CONTROLS. ALWAYS REFER TO SOLIDWORKS VIEWER FOR LATEST ISSUE



THIS DRAWING IS CONFIDENTIAL AND IS SUPPLIED ON THE EXPRESS CONDITION THAT IT SHALL NOT BE LOANED OR COPIED OR DISCLOSED TO ANY OTHER PERSON OR USED FOR ANY OTHER PURPOSE WITHOUT THE WRITTEN CONSENT OF AP RACING LTD.



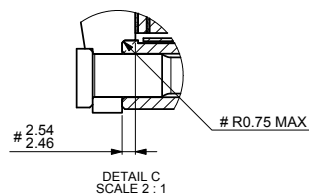
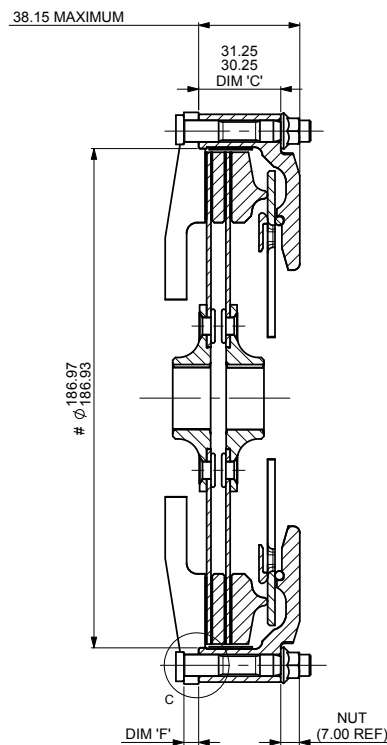
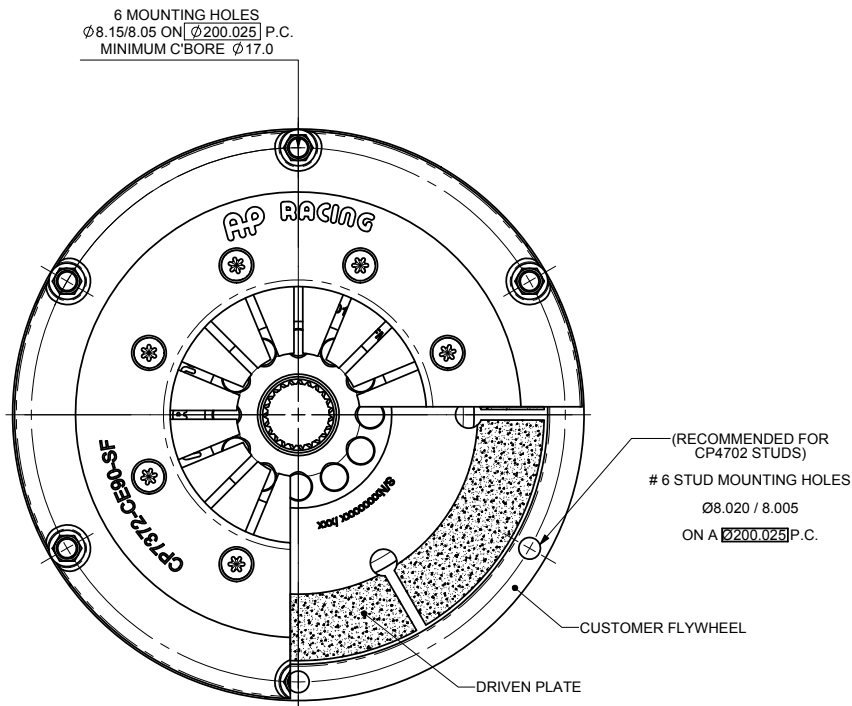
AP Racing
Wheler Road
Coventry
CV3 4LB

Tel: +44 (0) 24 7663 9595
Fax: +44 (0) 24 7663 9559
e-mail: engineering@apracings.co.uk
Web site: <http://www.apracings.com>

© AP Racing Ltd. 2014

FLYWHEEL DIMENSIONS STEPPED FLYWHEEL SUFFIX -SF

FLYWHEEL DIMENSIONS



RECOMMENDED CLUTCH MOUNTING :

(FOR ALL TYPES OF ASSEMBLY)
M8 x 1.0, CP4702 FAMILY STUD AND
K-LOCK NUT.
TIGHTENING TORQUE : 19Nm (14 ft.lb)

LENGTH OF STUD REQUIRED TO BE
CALCULATED THUS :

STUD LENGTH =
DIMENSIONS 'C' + 'F' + NUT

THIS CALCULATED LENGTH TO BE ROUNDED
UP TO THE NEXT AVAILABLE STANDARD STUD
LENGTH.

SUGGESTED FLYWHEEL MATERIAL:

0.35/0.45% CARBON STEEL, BRINELL 200 MIN. OR
SUITABLE MATERIAL FOR HIGH RPM.
FRICTION FACE TO BE FINE TURNED AND GROUND
SMOOTH AND FLAT. RUN OUT AT R77.2, ±0.08
WHEN ASSEMBLED TO CRANKSHAFT.

Issue No.	Date & No.	Alterations		Zone	Initials
		Particulars			
-	-	SEE SHEET 1 FOR ISSUE INFORMATION.		-	-

SCALE 1:1	SHEET 2 OF 3
DRAWN	DAVID CONSTABLE-BERRY
APPROVED	
DERIVED FROM	CP7972CD
TITLE	
Ø184mm (7.25") TWIN PLATE CLUTCH INSTALLATION	
DRG NO.	CP7372-1CD

A1 INSTALLATION DRAWING

IF THIS DOCUMENT IS PRINTED IN HARDCOPY, IT IS FOR INFORMATION USE ONLY AND THEREFORE IS NOT SUBJECT TO UPDATING CONTROLS. ALWAYS REFER TO SOLIDWORKS VIEWER FOR LATEST ISSUE



THIS DRAWING IS CONFIDENTIAL AND IS SUPPLIED ON THE EXPRESS CONDITION THAT IT SHALL NOT BE LOANED OR COPIED OR DISCLOSED TO ANY OTHER PERSON OR USED FOR ANY OTHER PURPOSE WITHOUT THE WRITTEN CONSENT OF AP RACING LTD.



AP Racing
Wheler Road
Coventry
CV3 4LB

Tel: +44 (0) 24 7663 9595
Fax: +44 (0) 24 7663 9559
e-mail: engineering@apracings.co.uk
Web site: <http://www.apracings.com>

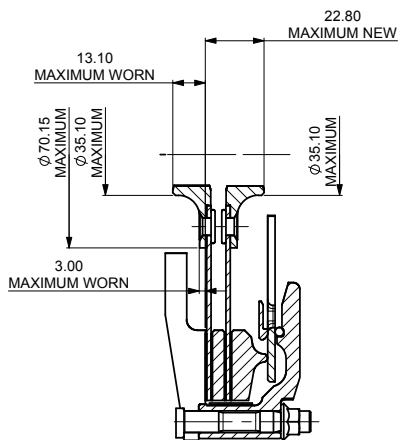
© AP Racing Ltd. 2014

Issue No.	Alterations		Zone	Initials
	Date & No.	Particulars		
-	-	SEE SHEET 1 FOR ISSUE INFORMATION.	-	-

BACK TO BACK DRIVE PLATES (CP2012 AND CP4429 TYPE)

	CP2012 TYPE	CP4429 TYPE
TYPICAL MASS	0.993kg	0.791kg
TYPICAL INERTIA	0.0036kg/m ²	0.0024kg/m ²

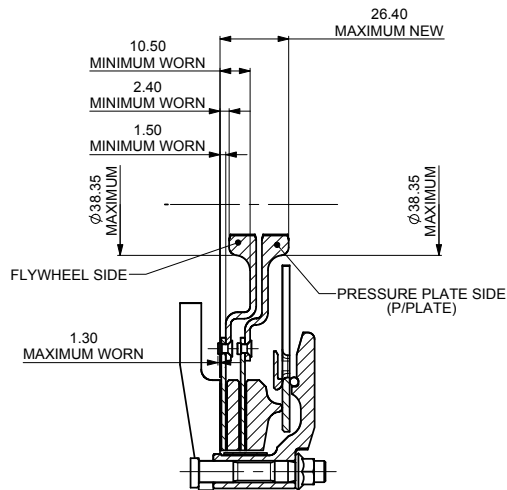
VALUES ARE FOR 2 DRIVEN PLATES



NESTED HUB DRIVE PLATES (CP2567 TYPE)

	CP2567 TYPE
TYPICAL MASS	1.052kg
TYPICAL INERTIA	0.0040kg/m ²

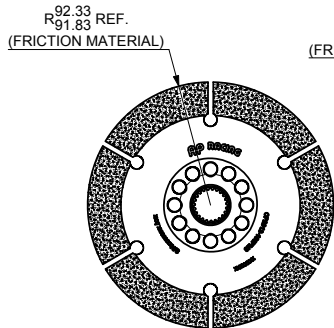
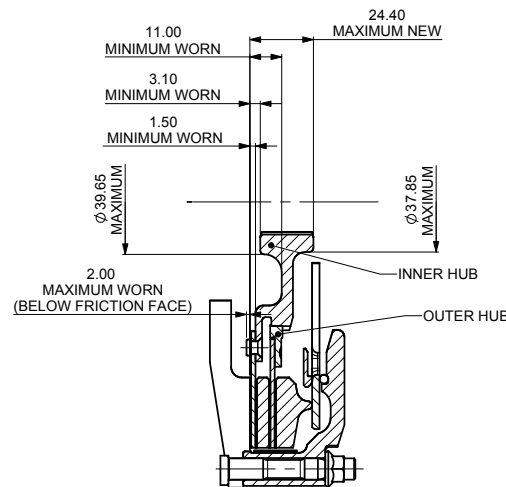
VALUES ARE FOR 2 DRIVEN PLATES



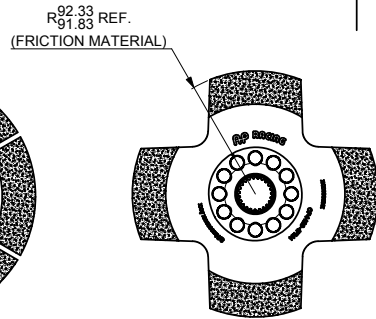
GEAR DRIVE HUB DRIVE PLATES (CP3822 TYPE)

	CP3822 TYPE
TYPICAL MASS	1.236kg
TYPICAL INERTIA	0.0044kg/m ²

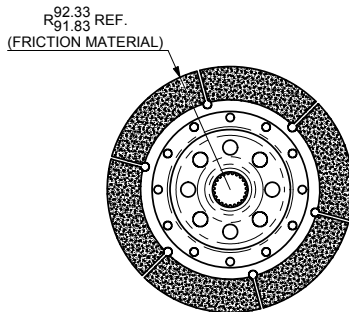
VALUES ARE FOR 2 DRIVEN PLATES



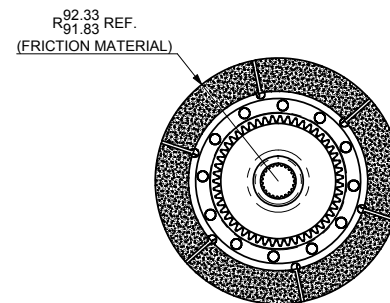
CP2012 TYPE DRIVE PLATE
(1:2 SCALE)



CP4429 TYPE DRIVE PLATE
(1:2 SCALE)



CP2567 TYPE DRIVE PLATE
(P/PLATE SIDE SHOWN)
(1:2 SCALE)



CP3822 TYPE DRIVE PLATE
(1:2 SCALE)

TYPICAL DRIVEN PLATE OPTIONS - CONTACT AP RACING FOR OTHER SPLINE SIZES

BACK TO BACK TYPE						NESTED TYPE				GEAR TYPE			
PART NUMBER	QUANTITY REQUIRED	SPLINE	PART NUMBER	QUANTITY REQUIRED	SPLINE	PART NUMBER	DETAIL	QUANTITY REQUIRED	SPLINE	PART NUMBER	DETAIL	QUANTITY REQUIRED	SPLINE
CP2012-165FM3	2	1" x 23T	CP4429-4FM4	2	1" x 23T	CP2567-23FM3	FLYWHEEL SIDE	1	1" x 23T	CP3822-10FM3	INNER HUB	1	1" x 23T
CP2012-166FM3	2	7/8" x 20T	CP4429-3FM4	2	7/8" x 20T	CP2567-24FM3	P/PLATE SIDE	1	1" x 23T	CP3822-11FM3	INNER HUB	1	7/8" x 20T
CP2012-165FM3	2	1 5/32" x 26T	CP4429-14FM4	2	1 5/32" x 26T	CP2567-7FM3	FLYWHEEL SIDE	1	7/8" x 20T	CP3822-14FM3	INNER HUB	1	1 5/32" x 26T
CP2012-165FM3	2	29.0 x 10T	CP4429-5FM4	2	29.0 x 10T	CP2567-8FM3	P/PLATE SIDE	1	7/8" x 20T	CP3822-15FM3	INNER HUB	1	29.0 x 10T
						CP2567-11FM3	FLYWHEEL SIDE	1	1 5/32" x 26T	OUTER HUBS ALL AS BELOW FOR CP3822 TYPE DRIVE PLATE			
						CP2567-12FM3	P/PLATE SIDE	1	1 5/32" x 26T				
						CP2567-29FM3	FLYWHEEL SIDE	1	29.0 x 10T				
						CP2567-30FM3	P/PLATE SIDE	1	29.0 x 10T				
						CP2567-33FM3	FLYWHEEL SIDE	1	24.0 x 21T				
						CP2567-34FM3	P/PLATE SIDE	1	24.0 x 21T	CP2822-31FM3	OUTER HUB	1	N/A

SCALE 1:2 SHEET 3 OF 3

DRAWN DAVID CONSTABLE-BERRY

APPROVED

DERIVED FROM CP7972CD

TITLE
Ø184mm (7.25") TWIN PLATE
CLUTCH INSTALLATION

DRG NO. CP7372-1CD